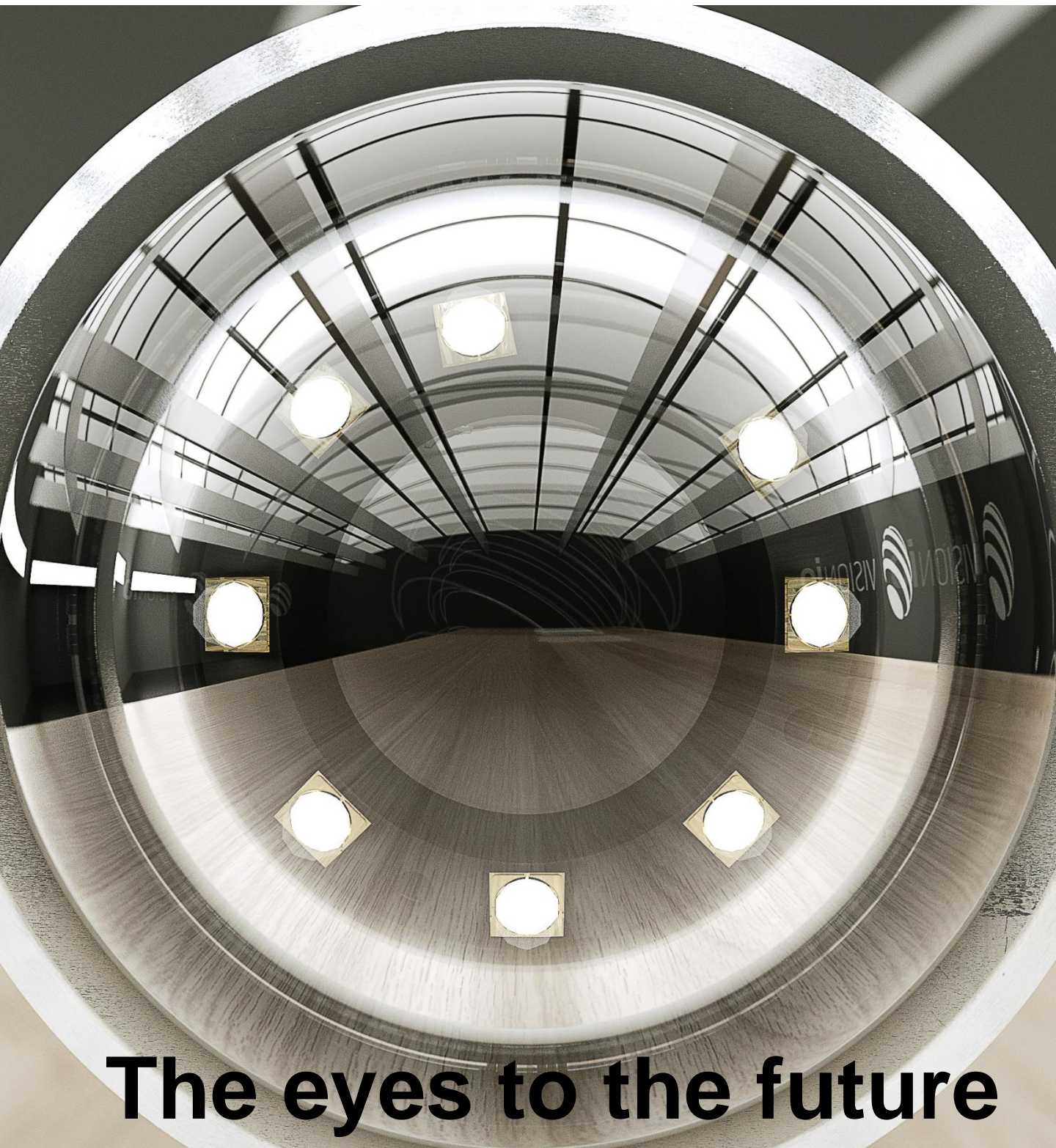




**VISIONio**



**The eyes to the future**

# Vision WellCAM®

## Technical specifications

Vision WellCAM® Memory	Specifications
Pressure	15.000 psi / 1034bar
Temperature	125 °C / 257°F (in gas: 105°C / 221°F)
Tool Diameter	2,25" (2,15" slim edition) OD
Length	1,85m / 6,07ft
Weight in air	15kg / 33lbs
Top connection	UN 1-1/16-10 Slick line (SL)
Fish neck	1,75" FN
Tensile strength	2500kg / 5500 lbs. (middle section)
Field of view	185/ 360°
Image sensor	5Mpx colour
Materials	17-4PH stainless steel (H2S) resistant housing, sapphire dome view-point.
Max/min borehole/casing/tubing	9 5/8" – 2 7/8"
Battery operated	Alkaline up to 85°C & 12 hours. Lithium up to 125°C & 24 hours.

Vision WellCAM® E-line	Specifications
Pressure	15.000 psi / 1034bar
Temperature	125 °C / 257°F (in gas: 105°C / 221°F)
Tool Diameter	(2,25" (2,15" slim edition) OD
Length	1,85m / 6,07ft
Weight in air	15kg / 33lbs
Top connection	1-3/16" 12UN (1-3/8" GO Box)
Fish neck	1,75" FN
Tensile strength	2500kg / 5500 lbs. (middle section)
Field of view	185/ 360°
Image sensor	5Mpx colour
Materials	17-4PH stainless steel (H2S) resistant housing, sapphire dome view-point.
Max/min borehole/casing/tubing	9 5/8" – 2 7/8"
Surface read-out	Yes

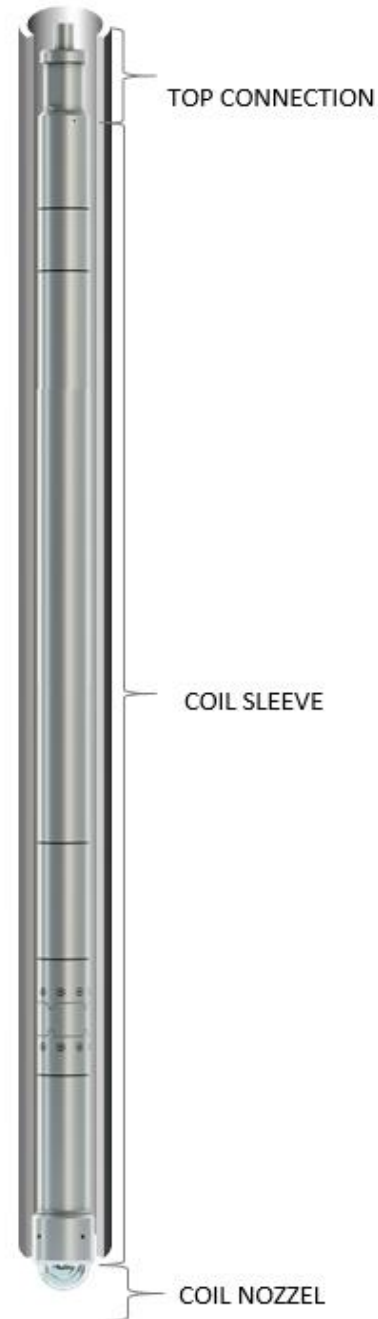


# Vision WellCAM®

## Technical specifications

Vision WellCAM® Coil Tubing	Specifications
Pressure	15.000 psi / 1034bar
Temperature	125 °C / 257°F (in gas: 105°C / 221°F)
Tool Diameter	(2-7/8" OD
Length	2,27m / 7,44ft
Weight in air	33kg / 73lbs
Top connection	2-3/8" PAC
Field of view	185/ 360°
Image sensor	5Mpx colour
Battery operated	Alkaline up to 85°C & 12 hours. Lithium up to 125°C & 24 hours.
Materials	17-4PH stainless steel (H2S) resistant housing, sapphire dome view-point.
Pumping rate	Up to 4bbl
Shock absorber	Yes

Vision WellCAM® E-Coil	Specifications
Pressure	15.000 psi / 1034bar
Temperature	125 °C / 257°F (in gas: 105°C / 221°F)
Tool Diameter	2-7/8" OD
Length	1,9m / 6,23ft
Weight in air	25kg / 55lbs
Top connection	Per request
Field of view	185/ 360°
Image sensor	5Mpx colour
Materials	17-4PH stainless steel (H2S) resistant housing, sapphire dome view-point.
Pumping rate	Up to 4bbl
Surface read-out	Yes



# Vision WellCAM®

## Technical specifications

Vision WellCAM® 1 11/16"	Specifications
Pressure	10.000 psi / 689bar
Temperature	125 °C / 257°F (in gas: 95°C / 203°F)
Tool Diameter	1-11/16"
Length	2,57m / 8,43ft
Weight in air	12,7kg / 28lbs
Top connection	UN 1-3/16-12UN (1-3/8" GO BOX)
Field of view	185/ 360°
Image sensor	5Mpx colour
Materials	17-4PH stainless steel (H2S) resistant housing, sapphire dome view-point.
Max/min borehole/casing/tubing	9 5/8" – 2 3/8"
Surface read-out	Yes
Tensile strength	6000kg/ 13000lbs
Bow-string centralizer (in-line)	1,72" – 4,5"
Top connection	5/8- 11 UNC slick –line (SL)
Fish neck	1,00"



# Vision WellCAM®

## Technical specifications

Vision WellCAM® Drill Pipe	Specifications
Pressure	15.000 psi / 1034bar
Temperature	125 °C / 257°F (in gas: 95°C / 203°F)
Tool Diameter	2-7/8" / 6,37"
Length	2,73m / 8,95ft
Weight in air	75kg / 166lbs
Top connection	4,5 IF
Field of view	185/ 360°
Image sensor	5Mpx colour
Conveyance	Memory (see battery operated) or Surface read- out
Battery operated	Alkaline up to 85°C & 12 hours. Lithium up to 125°C & 24 hours.
Materials	17-4PH stainless steel (H2S) resistant housing, sapphire dome view-point.
Pumping rate	Up to 4bbl
Shock absorber	Yes

